

COUNTERBALANCED CRANES WITH FIX JIB ARM – MANUAL OR ELECTRIC CONTROLLED JIB EXTENSION – LARGE CAPACITY



A complete range of counterbalanced cranes with manual traction, , **with a maximum capacity up to 1.000 kg and outreach up to 2.000 mm**. Hydraulic lever controlled fast lift double action pump or electric controlled. They represent the most cost-effective and flexible solution for lifting and transporting loads in several applications such as machining centers and machine tools, delivery to assembly lines, assembly operations, goods handling. Thanks to their minimum frontal footprint of just 800mm they can be moved in narrow lanes and spaces and are easily maneuverable even at full load without efforts. All components are made in Italy to ensure the highest construction quality and the absence of defects.

The hydraulic system is equipped with a lock valve that prevents the load from falling in case of accidental breakage of the pipes and a rough valve that prevents overloading of the crane.

Tiller arm equipped with gas spring and double wheels Ø 200 mm with ball bearings and braking system; 2 fixed front wheels Ø 250 mm with bearings to make it easy to move.

The frame is made of painted steel and is equipped at the base with 2 useful forklift supports to lift and transport the crane safely on long distances. 360 ° swivel hook type.



CERTIFICATION AND COMPLIANCE WITH REGULATIONS FOR THE PROTECTION AND SAFETY IN THE WORKPLACE

GZ1000B
CAPACITY 1000 KG
COUNTERBALANCED CRANE – FIX JIB ARM – SINGLE SPEED POWERED
LIFT/LOWER JIB ARM



CAPACITY AND DIMENSIONS WITH STANDARD JIB ARM		
POS.	Length	Capacity
	[mm]	GZ1000B [kg]
1	650	1000
2	850	835
3	1050	670
4	1250	500

Technical data	UM	GZ1000B
Weight	[kg]	1190
Max capacity	[kg]	1000
Max pressure	[bar]	160
Tank capacity	[Liters]	3
Cylinder stroke	[mm]	550

CAPACITY WITH OPTIONAL EXTENDED JIB ARM		
POS.	Length	Capacity
	[mm]	GZ1000B [kg]
1	1400	450
2	1600	390
3	1800	325
4	2000	275

Nr 1 Battery	[V]	12
	[A]	80
Charger	[V]	220
	[A]	12

Model GZ1000B is equipped with a single speed lift/lower system controlled by pendant push button with emergency stop. Built-in high-frequency charger. Charge level indicator. Battery 12V 80A. The arm is extendable in 4 positions and an optional arm extension is available to get a maximum outreach of 2000 mm.

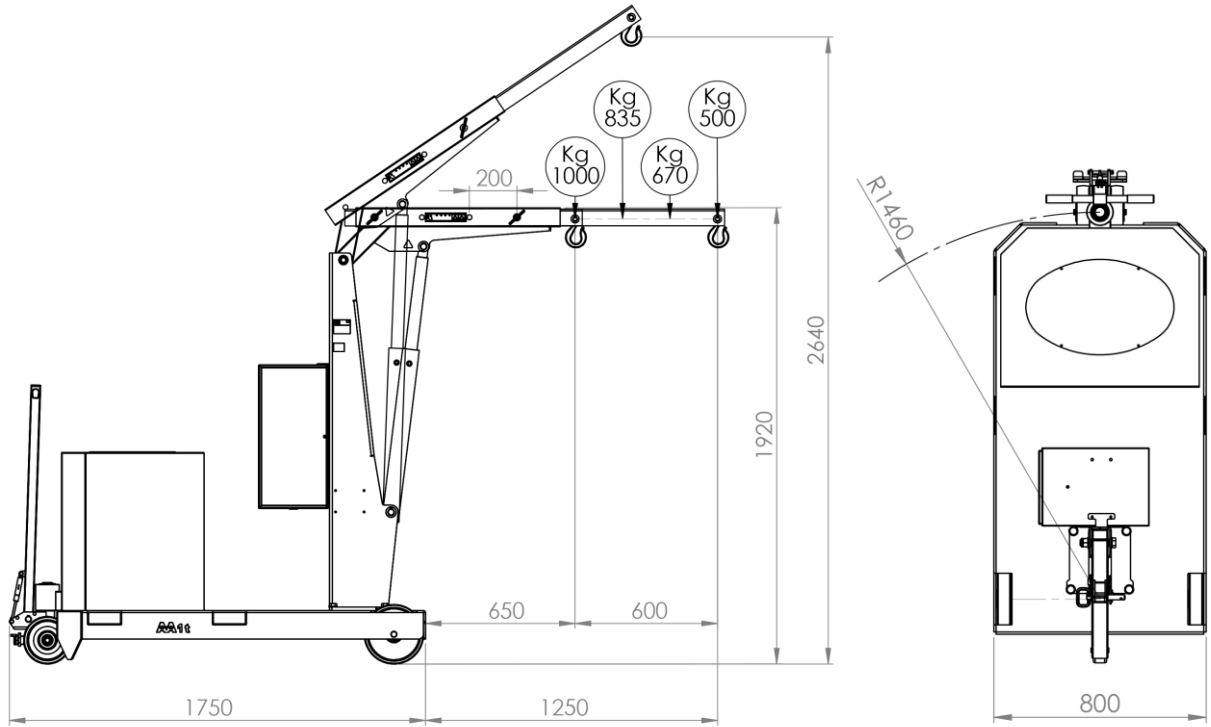


GZ1000B

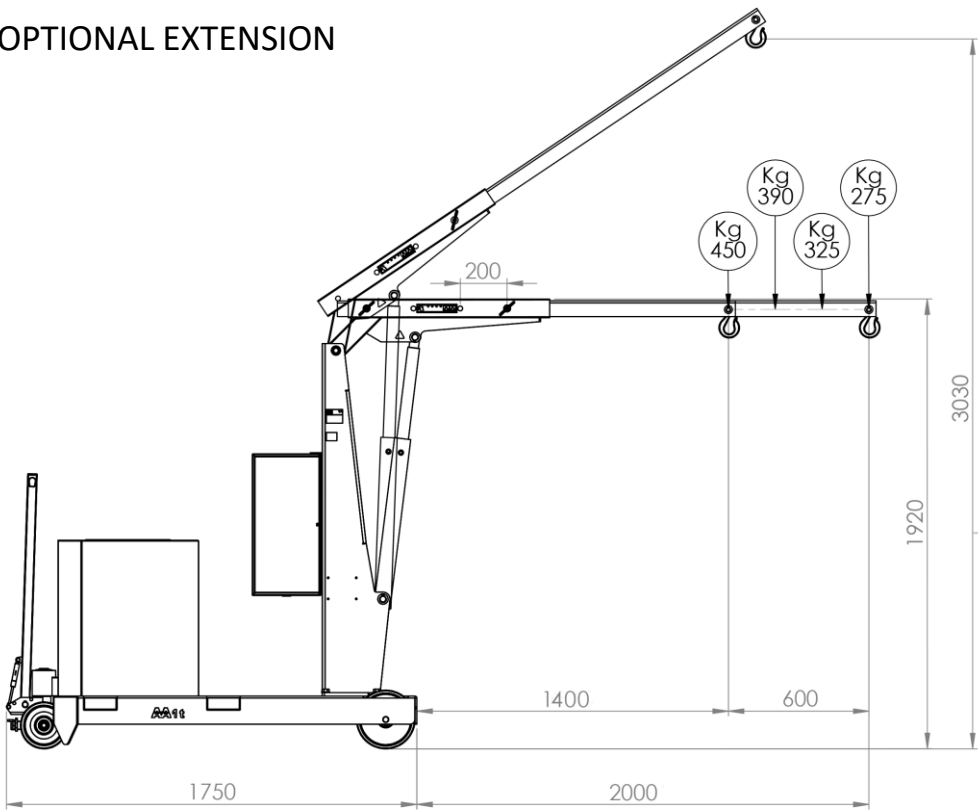
TECHNICAL DRAWINGS, DIMENSIONS AND CAPACITIES

Recommended for lifting operations that do not require an accurate load positioning in the descent phase

STANDARD EXTENSION



OPTIONAL EXTENSION



Suitable for lifting operations in logistics

GZ1000B

TECHNICAL DRAWINGS, DIMENSIONS AND CAPACITIES

Recommended for lifting operations that do not require an accurate load positioning in the descent phase

