

## COUNTERBALANCED CRANES WITH FIX JIB ARM – MANUAL OR ELECTRIC CONTROLLED JIB EXTENSION – LARGE CAPACITY



A complete range of counterbalanced cranes with manual traction, , **with a maximum capacity up to 1.000 kg and outreach up to 2.000 mm**. Hydraulic lever controlled fast lift double action pump or electric controlled. They represent the most cost-effective and flexible solution for lifting and transporting loads in several applications such as machining centers and machine tools, delivery to assembly lines, assembly operations, goods handling. Thanks to their minimum frontal footprint of just 800mm they can be moved in narrow lanes and spaces and are easily maneuverable even at full load without efforts. All components are made in Italy to ensure the highest construction quality and the absence of defects.

**The hydraulic system is equipped with a lock valve that prevents the load from falling in case of accidental breakage of the pipes and a rough valve that prevents overloading of the crane.**

Tiller arm equipped with gas spring and double wheels  $\varnothing$  200 mm with ball bearings and braking system; 2 fixed front wheels  $\varnothing$  250 mm with bearings to make it easy to move.

The frame is made of painted steel and is equipped at the base with 2 useful forklift supports to lift and transport the crane safely on long distances. 360 ° swivel hook type.



**CERTIFICATION AND COMPLIANCE WITH REGULATIONS FOR THE PROTECTION AND SAFETY IN THE WORKPLACE**

**GZ1000BP**  
**CAPACITY 1000 KG**  
**COUNTERBALANCED CRANE – FIX JIB ARM – SINGLE SPEED POWERED LIFT**  
**JIB ARM - LOWER CONTROLLED BY PENDANT PROGRESSIVE LEVER**



CAPACITY WITH OPTIONAL EXTENDED JIB ARM		
POS.	Length	Capacity
	[mm]	GZ1000P [kg]
1	1400	450
2	1600	390
3	1800	325
4	2000	275

CAPACITY AND DIMENSIONS WITH STANDARD JIB ARM		
POS.	Length	Capacity
	[mm]	GZ1000P [kg]
1	650	1000
2	850	835
3	1050	670
4	1250	500

Technical data	UM	GZ1000P
Weight	[kg]	1190
Max capacity	[kg]	1000
Max pressure	[bar]	160
Tank capacity	[Liters]	3
Cylinder stroke	[mm]	550

1 battery	[V]	12
	[A]	80
Battery charger	[V]	220
	[A]	12

La GZ1000BP is equipped with a pendant lever for lifting a load at a single speed and operating a progressive descent . This requirement is indispensable when millimeter accuracy is required during the positioning of the load.

The arm is extendable in 4 positions and an optional arm extension is available to get a maximum outreach of 2000 mm. Built-in high-frequency charger. Charge level indicator. Battery 12V 80A.

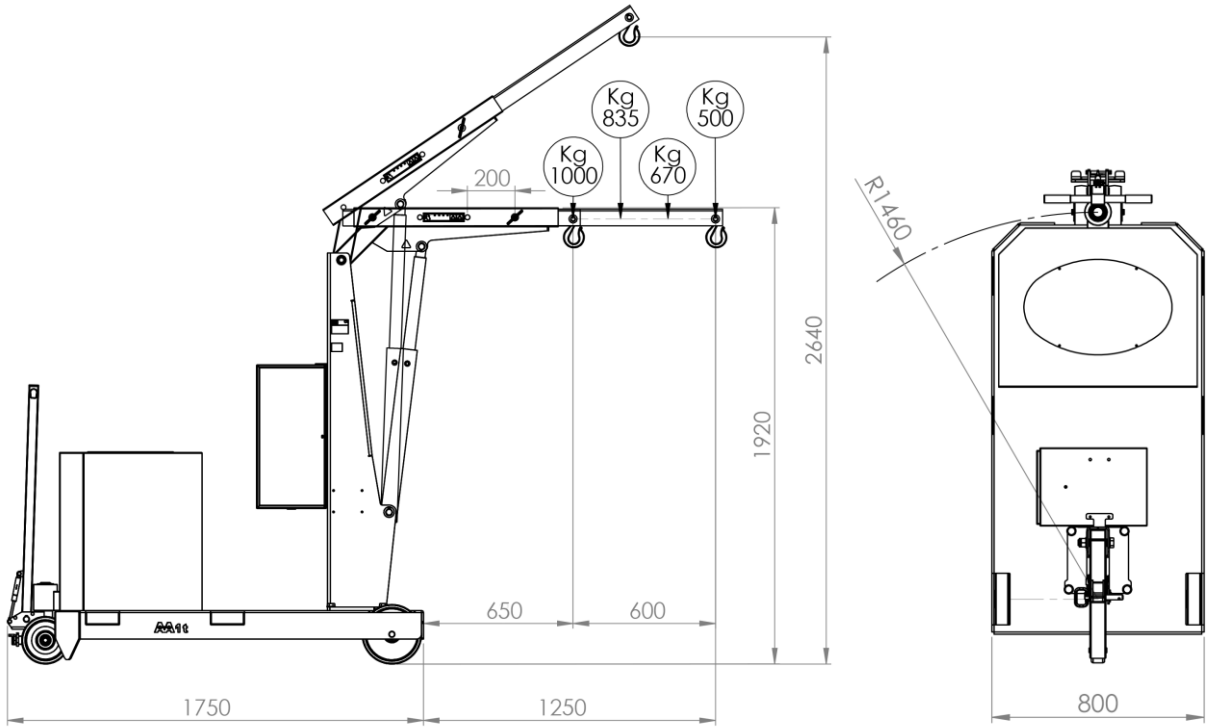


# GZ1000BP

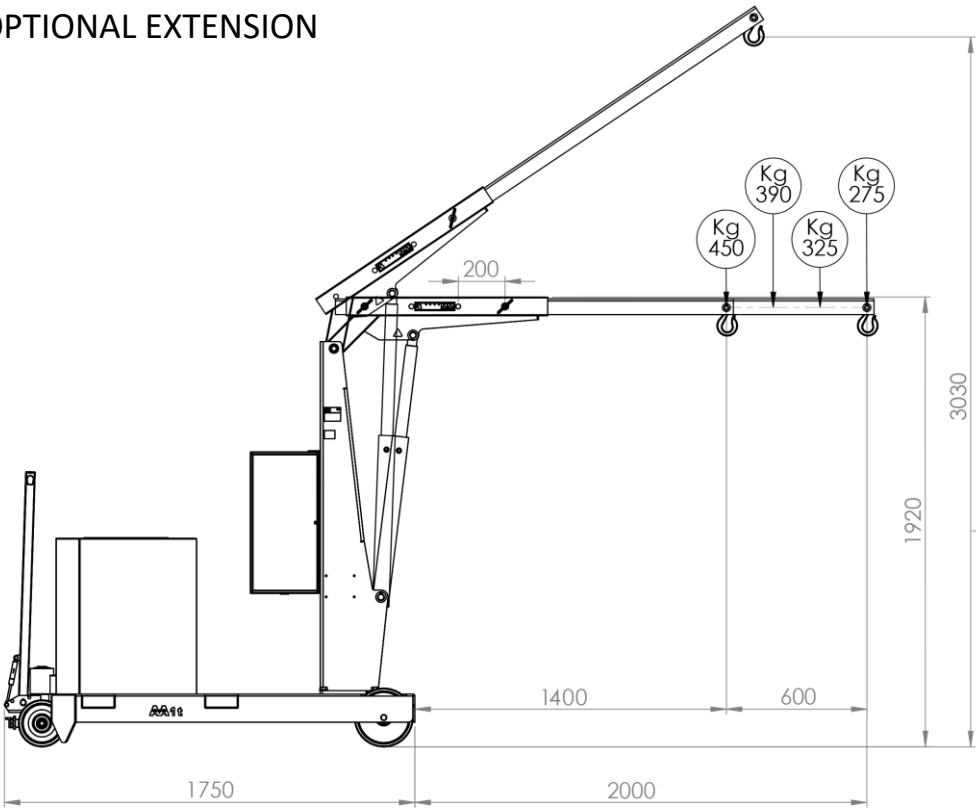
## TECHNICAL DRAWINGS, DIMENSIONS AND CAPACITIES

Recommended for operations where an accurate load positioning is needed

### STANDARD EXTENSION



### OPTIONAL EXTENSION



Millimeter accuracy in the positioning of the load in the descent phase

# GZ1000BP

## TECHNICAL DRAWINGS, DIMENSIONS AND CAPACITIES

Recommended for operations where an accurate load positioning is needed

